

ETM[®]

Elegant Technology Master

www.etm-co.com



○○○○
ELEGANT TECHNOLOGY MASTER

Your Electronic Hardware Solutions



Our name says it all, simply
the widest selection of
quality products.
We are specialize in cosmetic
products and precision
electronic hardware.

Your Electronic Hardware Solutions

ELEGANT TECHNOLOGY MASTER

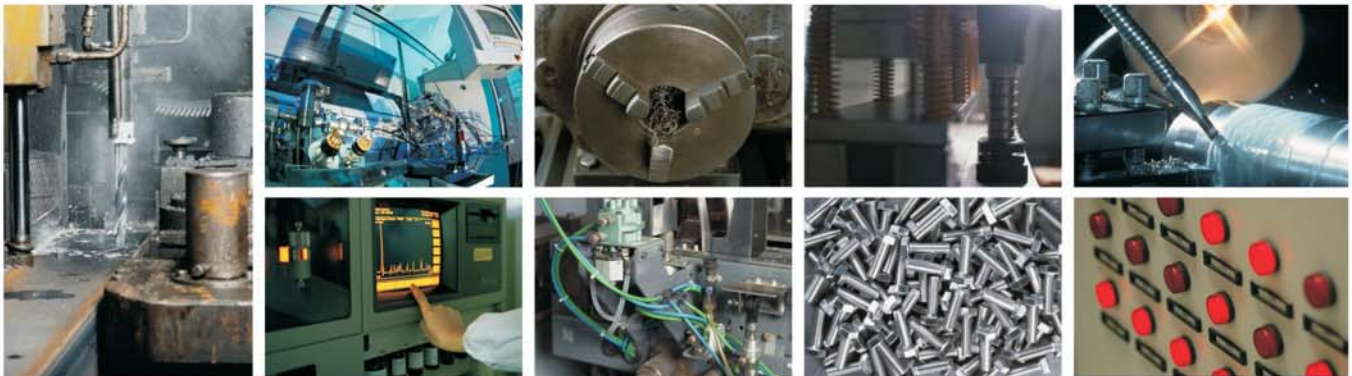


Our products meet most standard requirements. Modifications as well as custom fabrications can be manufactured to meet your special needs.

ETM has diverse manufacturing base that is available for you for specific, non standard designs.

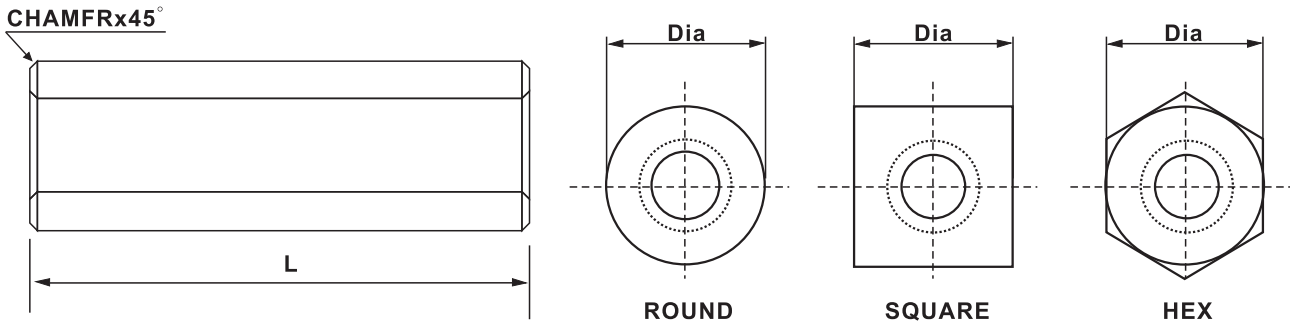
Design and engineering, precision tool and die capabilities, close tolerance Stamping, Machining, and Assembly, computer based quality control and responsive customer service are all vital in-house resources which constitute our custom manufacturing division's capabilities.

It is ETM's quality policy to continuously improve its products to better satisfy the needs of its customers and to deliver quality products, every time and on time. Our service team is your assurance of quick response, service and dependability, worldwide.



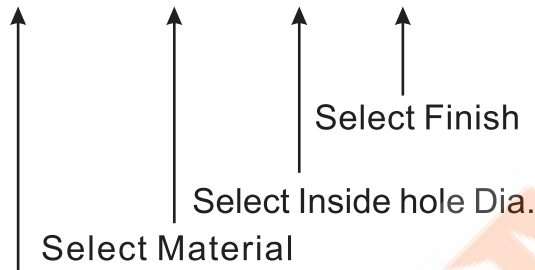
Foreword

(Metric STANDARD SPACERS)



How to order Metric Standard Clear Hole Spacers

MS- 0525-MS1- 25- S10



Tolerances:

Diameter: Standard commercial bar stock tolerances.
 Length: 0 UP to 100 ± 0.13
 From 100 to 150 ± 0.2
 Over 150 ± 0.25

Threads:

External - Standard Unified Class 6g
 Internal - Standard Unified Class 6h

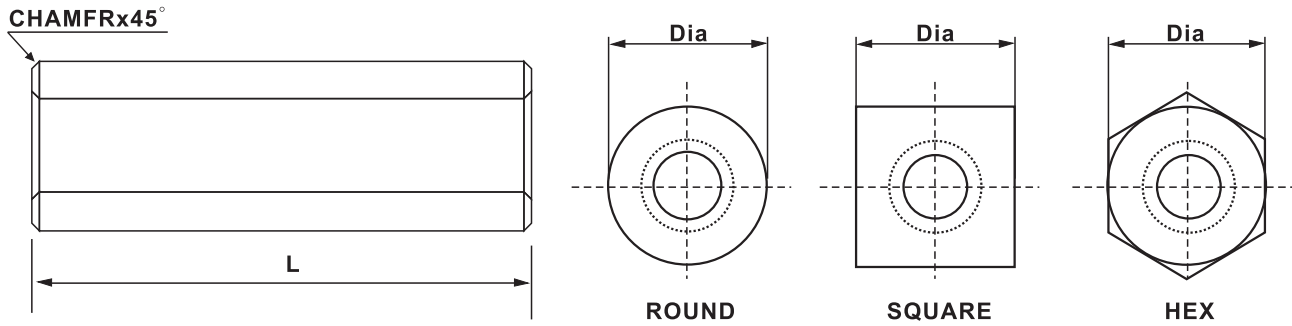
Select Part No. corresponding to the diameter and length necessary for Your application

Material Description	Code		
	Round	Square	Hex
Carbon Steel	MS1	MS2	MS3
300 Series Stainless Steel	MSS1	MSS2	MSS3
Aluminum	MA1	MA2	MA3
Brass	MB1	MB2	MB3
Nylon	MN1	MN2	MN3

Finish Description	Code
Nickel Plate	S1
Chrome Plate	S2
Satin Chrome	S6
Zinc Plate	S10
Zinc Yellow Chromate	S11
No Finish	S14
Black Oxide	S22
Black Zinc	S23
Passivate	SB5
Anodize Clear	SA1
Glossy Anodize Clear	SA2
Anodize Black	SA3
Glossy Anodize Black	SA4
Clear Iridite	SA5

Code	Thread	Inside hole Dia. $\begin{matrix} +0.3 \\ -0.0 \end{matrix}$
25	M2.5x0.45	2.7
3	M3x0.5	3.2
35	M3.5x0.6	3.7
4	M4x0.7	4.3
5	M5x0.8	5.3
6	M6x1	6.4
8	M8x1.25	8.4
10	M10x1.5	10.5
12	M12	13
14	M14	15

Custom modified products are available.

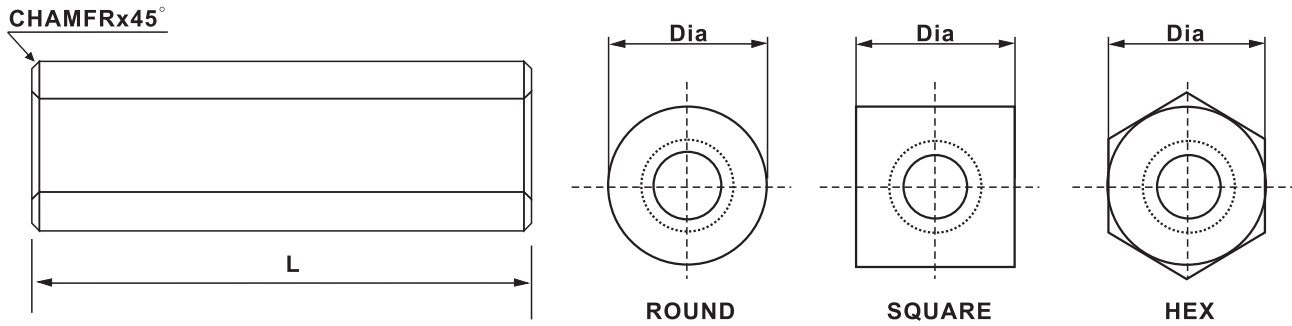


5mm Diameter Clear Hole Spacers

Part No.	Length	Part No.	Length	Part No.	Length
MS-0501	1	MS-0518	18	MS-0535	35
MS-0502	2	MS-0519	19	MS-0536	36
MS-0503	3	MS-0520	20	MS-0537	37
MS-0504	4	MS-0521	21	MS-0538	38
MS-0505	5	MS-0522	22	MS-0539	39
MS-0506	6	MS-0523	23	MS-0540	40
MS-0507	7	MS-0524	24	MS-0541	41
MS-0508	8	MS-0525	25	MS-0542	42
MS-0509	9	MS-0526	26	MS-0543	43
MS-0510	10	MS-0527	27	MS-0544	44
MS-0511	11	MS-0528	28	MS-0545	45
MS-0512	12	MS-0529	29	MS-0546	46
MS-0513	13	MS-0530	30	MS-0547	47
MS-0514	14	MS-0531	31	MS-0548	48
MS-0515	15	MS-0532	32	MS-0549	49
MS-0516	16	MS-0533	33	MS-0550	50
MS-0517	17	MS-0534	34	MS-0551	51

6mm Diameter Clear Hole Spacers

Part No.	Length	Part No.	Length	Part No.	Length
MS-0601	1	MS-0618	18	MS-0635	35
MS-0602	2	MS-0619	19	MS-0636	36
MS-0603	3	MS-0620	20	MS-0637	37
MS-0604	4	MS-0621	21	MS-0638	38
MS-0605	5	MS-0622	22	MS-0639	39
MS-0606	6	MS-0623	23	MS-0640	40
MS-0607	7	MS-0624	24	MS-0641	41
MS-0608	8	MS-0625	25	MS-0642	42
MS-0609	9	MS-0626	26	MS-0643	43
MS-0610	10	MS-0627	27	MS-0644	44
MS-0611	11	MS-0628	28	MS-0645	45
MS-0612	12	MS-0629	29	MS-0646	46
MS-0613	13	MS-0630	30	MS-0647	47
MS-0614	14	MS-0631	31	MS-0648	48
MS-0615	15	MS-0632	32	MS-0649	49
MS-0616	16	MS-0633	33	MS-0650	50
MS-0617	17	MS-0634	34	MS-0651	51

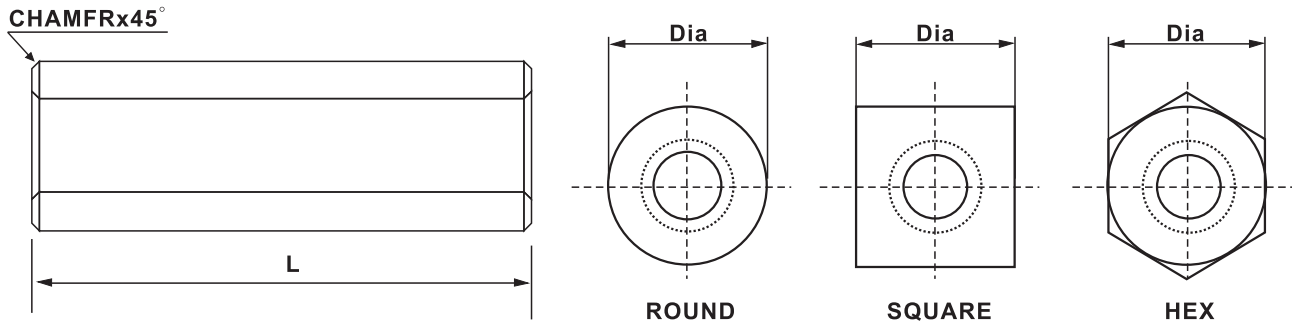


7mm Diameter Clear Hole Spacers

Part No.	Length	Part No.	Length	Part No.	Length
MS-0701	1	MS-0718	18	MS-0735	35
MS-0702	2	MS-0719	19	MS-0736	36
MS-0703	3	MS-0720	20	MS-0737	37
MS-0704	4	MS-0721	21	MS-0738	38
MS-0705	5	MS-0722	22	MS-0739	39
MS-0706	6	MS-0723	23	MS-0740	40
MS-0707	7	MS-0724	24	MS-0741	41
MS-0708	8	MS-0725	25	MS-0742	42
MS-0709	9	MS-0726	26	MS-0743	43
MS-0710	10	MS-0727	27	MS-0744	44
MS-0711	11	MS-0728	28	MS-0745	45
MS-0712	12	MS-0729	29	MS-0746	46
MS-0713	13	MS-0730	30	MS-0747	47
MS-0714	14	MS-0731	31	MS-0748	48
MS-0715	15	MS-0732	32	MS-0749	49
MS-0716	16	MS-0733	33	MS-0750	50
MS-0717	17	MS-0734	34	MS-0751	51

8mm Diameter Clear Hole Spacers

Part No.	Length	Part No.	Length	Part No.	Length
MS-0801	1	MS-0818	18	MS-0835	35
MS-0802	2	MS-0819	19	MS-0836	36
MS-0803	3	MS-0820	20	MS-0837	37
MS-0804	4	MS-0821	21	MS-0838	38
MS-0805	5	MS-0822	22	MS-0839	39
MS-0806	6	MS-0823	23	MS-0840	40
MS-0807	7	MS-0824	24	MS-0841	41
MS-0808	8	MS-0825	25	MS-0842	42
MS-0809	9	MS-0826	26	MS-0843	43
MS-0810	10	MS-0827	27	MS-0844	44
MS-0811	11	MS-0828	28	MS-0845	45
MS-0812	12	MS-0829	29	MS-0846	46
MS-0813	13	MS-0830	30	MS-0847	47
MS-0814	14	MS-0831	31	MS-0848	48
MS-0815	15	MS-0832	32	MS-0849	49
MS-0816	16	MS-0833	33	MS-0850	50
MS-0817	17	MS-0834	34	MS-0851	51

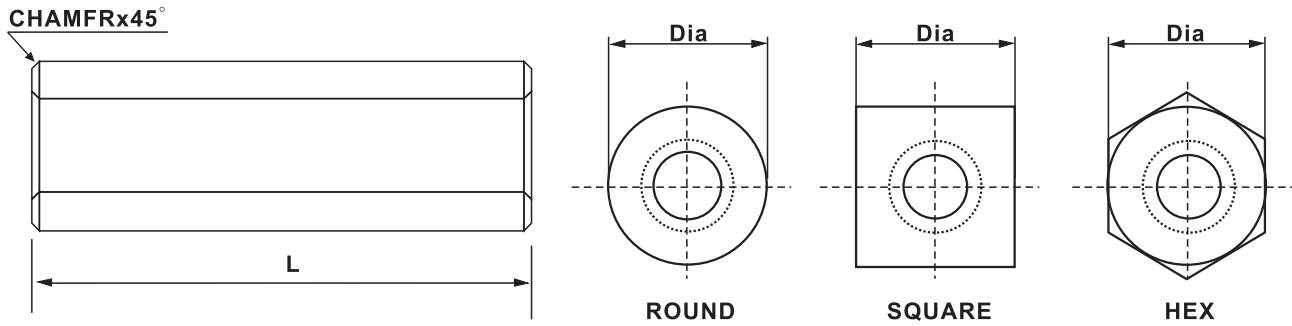


10mm Diameter Clear Hole Spacers

Part No.	Length	Part No.	Length	Part No.	Length
MS-1001	1	MS-1018	18	MS-1035	35
MS-1002	2	MS-1019	19	MS-1036	36
MS-1003	3	MS-1020	20	MS-1037	37
MS-1004	4	MS-1021	21	MS-1038	38
MS-1005	5	MS-1022	22	MS-1039	39
MS-1006	6	MS-1023	23	MS-1040	40
MS-1007	7	MS-1024	24	MS-1041	41
MS-1008	8	MS-1025	25	MS-1042	42
MS-1009	9	MS-1026	26	MS-1043	43
MS-1010	10	MS-1027	27	MS-1044	44
MS-1011	11	MS-1028	28	MS-1045	45
MS-1012	12	MS-1029	29	MS-1046	46
MS-1013	13	MS-1030	30	MS-1047	47
MS-1014	14	MS-1031	31	MS-1048	48
MS-1015	15	MS-1032	32	MS-1049	49
MS-1016	16	MS-1033	33	MS-1050	50
MS-1017	17	MS-1034	34	MS-1051	51

13mm Diameter Clear Hole Spacers

Part No.	Length	Part No.	Length	Part No.	Length
MS-1301	1	MS-1318	18	MS-1335	35
MS-1302	2	MS-1319	19	MS-1336	36
MS-1303	3	MS-1320	20	MS-1337	37
MS-1304	4	MS-1321	21	MS-1338	38
MS-1305	5	MS-1322	22	MS-1339	39
MS-1306	6	MS-1323	23	MS-1340	40
MS-1307	7	MS-1324	24	MS-1341	41
MS-1308	8	MS-1325	25	MS-1342	42
MS-1309	9	MS-1326	26	MS-1343	43
MS-1310	10	MS-1327	27	MS-1344	44
MS-1311	11	MS-1328	28	MS-1345	45
MS-1312	12	MS-1329	29	MS-1346	46
MS-1313	13	MS-1330	30	MS-1347	47
MS-1314	14	MS-1331	31	MS-1348	48
MS-1315	15	MS-1332	32	MS-1349	49
MS-1316	16	MS-1333	33	MS-1350	50
MS-1317	17	MS-1334	34	MS-1351	51



16mm Diameter Clear Hole Spacers

Part No.	Length	Part No.	Length	Part No.	Length
MS-1601	1	MS-1618	18	MS-1635	35
MS-1602	2	MS-1619	19	MS-1636	36
MS-1603	3	MS-1620	20	MS-1637	37
MS-1604	4	MS-1621	21	MS-1638	38
MS-1605	5	MS-1622	22	MS-1639	39
MS-1606	6	MS-1623	23	MS-1640	40
MS-1607	7	MS-1624	24	MS-1641	41
MS-1608	8	MS-1625	25	MS-1642	42
MS-1609	9	MS-1626	26	MS-1643	43
MS-1610	10	MS-1627	27	MS-1644	44
MS-1611	11	MS-1628	28	MS-1645	45
MS-1612	12	MS-1629	29	MS-1646	46
MS-1613	13	MS-1630	30	MS-1647	47
MS-1614	14	MS-1631	31	MS-1648	48
MS-1615	15	MS-1632	32	MS-1649	49
MS-1616	16	MS-1633	33	MS-1650	50
MS-1617	17	MS-1634	34	MS-1651	51

19mm Diameter Clear Hole Spacers

Part No.	Length	Part No.	Length	Part No.	Length
MS-1901	1	MS-1918	18	MS-1935	35
MS-1902	2	MS-1919	19	MS-1936	36
MS-1903	3	MS-1920	20	MS-1937	37
MS-1904	4	MS-1921	21	MS-1938	38
MS-1905	5	MS-1922	22	MS-1939	39
MS-1906	6	MS-1923	23	MS-1940	40
MS-1907	7	MS-1924	24	MS-1941	41
MS-1908	8	MS-1925	25	MS-1942	42
MS-1909	9	MS-1926	26	MS-1943	43
MS-1910	10	MS-1927	27	MS-1944	44
MS-1911	11	MS-1928	28	MS-1945	45
MS-1912	12	MS-1929	29	MS-1946	46
MS-1913	13	MS-1930	30	MS-1947	47
MS-1914	14	MS-1931	31	MS-1948	48
MS-1915	15	MS-1932	32	MS-1949	49
MS-1916	16	MS-1933	33	MS-1950	50
MS-1917	17	MS-1934	34	MS-1951	51

ETM[®]

Elegant Technology Master

01010101010101010101010101
10101010101010101010101010101
10101010101010101010101010101



Our name says it all, simply the widest selection of quality products.

We are specialize in cosmetic products and precision electronic hardware.

Whether you are in the Aerospace, Automotive, Trucks, Railway, Enclosures, Enterprise Hardware, Consumer Electronics, Medical, Industrial Equipment, Marine, Instrumentation, Telecommunication, Recreational Vehicles, or other high-tech industry, our expert sales staff can assist you.

This book is a comprehensive reference of engineered human touch points for your customer oriented design solution. We believe that by providing you with a broad range of standard solutions. We can enhance your overall design, quality, performance, look and feel of your end product.



We have more and more products do not be listed in this catalogue, like ours Stamping Parts, Compression Latch, Draw Latch, Pulls, Self-Clinching parts ...etc.

To contact ETM directly for customer service and technical support, or contact us to found your local Sales Representative.

No.55, Ju Dong Rd., Homei Chang Hwa 50856, Taiwan, R.O.C.

TEL:886.4.7369788 FAX:886.4.22569335

<http://www.etm-co.com> E-mail: info@etm-co.com

TEL:886.4.7369788 FAX:886.4.22569335 <http://www.etm-co.com>



Sales

Headquarters ETM Inc.

No.55, Ju Dong Rd.,Homei Chang
Hwa 50856, Taiwan, R.O.C.

TEL:886.4.7369788

FAX:886.4.22569335

<http://www.etm-co.com>

USA UNICORP Inc.

291 Cleveland Street,
Orange, NJ 07050

TEL:+1.973.674.1700

FAX:+1.973.674.3803

<http://www.unicorpinc.com>