

ETM[®]

Elegant Technology Master

www.etm-co.com



○○○○
ELEGANT TECHNOLOGY MASTER

Your Electronic Hardware Solutions



Our name says it all, simply
the widest selection of
quality products.
We are specialize in cosmetic
products and precision
electronic hardware.

Your Electronic Hardware Solutions

ELEGANT TECHNOLOGY MASTER

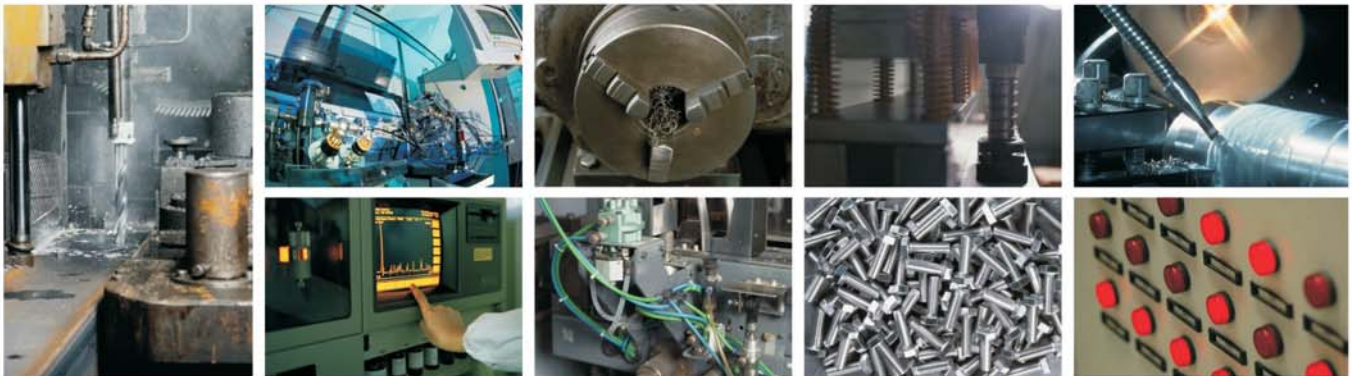


Our products meet most standard requirements. Modifications as well as custom fabrications can be manufactured to meet your special needs.

ETM has diverse manufacturing base that is available for you for specific, non standard designs.

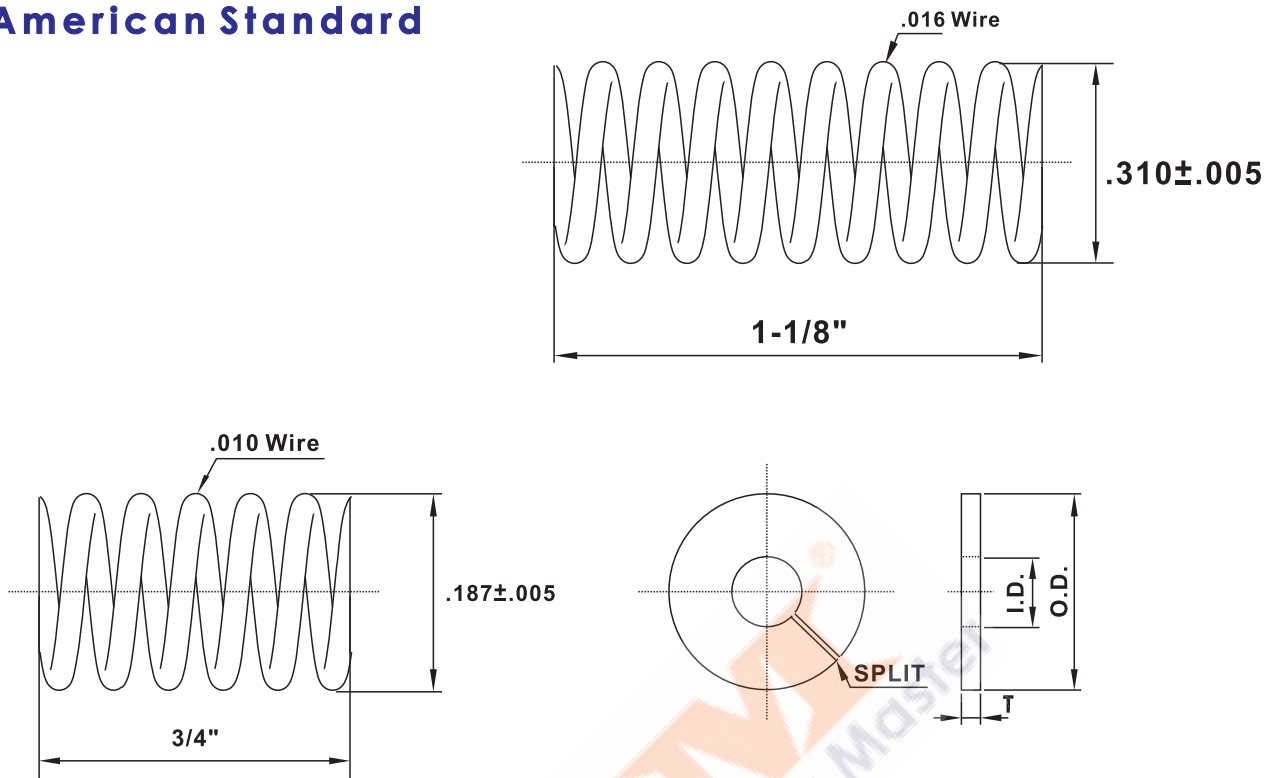
Design and engineering, precision tool and die capabilities, close tolerance Stamping, Machining, and Assembly, computer based quality control and responsive customer service are all vital in-house resources which constitute our custom manufacturing division's capabilities.

It is ETM's quality policy to continuously improve its products to better satisfy the needs of its customers and to deliver quality products, every time and on time. Our service team is your assurance of quick response, service and dependability, worldwide.



PANEL SCREW RETAINER SPRINGS & WASHERS

American Standard



Springs

Part No.	Material	Thread Size	O.D.	Length
SPRING-ACP1	Satinless Steel 300Series	4-40~6#32	.187	3/4
SPRING-ACP2	Satinless Steel 300Series	All other threads	.310	1-1/8

Washers

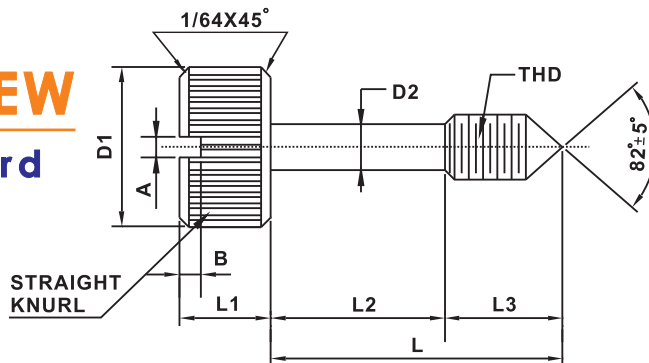
Part No.	Material	Thread Size	O.D.	I.D.	L
			+ .003 - .003	+ .003 - .003	+ .003 - .003
WASHER-ACP1	Satinless Steel 300Series	4-40	.171	.093	.010
WASHER-ACP2	Satinless Steel 300Series	6-32	.171	.112	.010
WASHER-ACP3	Satinless Steel 300Series	8-32	.312	.146	.012
WASHER-ACP4	Satinless Steel 300Series	10-24	.312	.166	.012
WASHER-ACP5	Satinless Steel 300Series	10-32	.312	.166	.012
WASHER-ACP6	Satinless Steel 300Series	12-24	.312	.190	.012
WASHER-ACP7	Satinless Steel 300Series	1/4-20	.312	.204	.012
WASHER-ACP8	Satinless Steel 300Series	1/4-28	.312	.204	.012

Custom modified products are available.

TEL:886.4.7369788 FAX:886.4.22569335 <http://www.etm-co.com>

CAPTIVE PANEL SCREW STYLE 1

Metric Standard

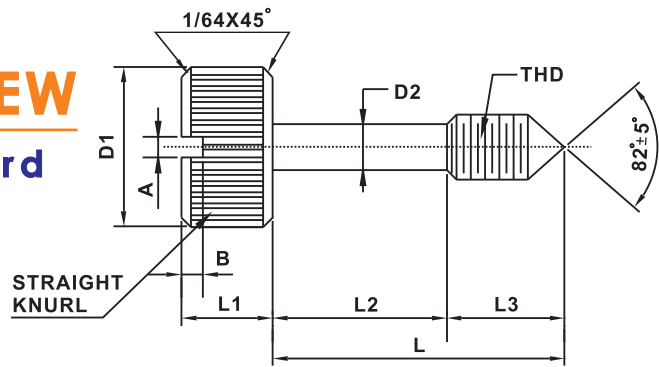


Part No.	Thread	D1	L1	D2	L	L2	L3	A	B
		+0.40 -0.40	+0.40 -0.40	+0.20 -0.20	+0.40 -0.40	+0.30 -0.30	+0.40 -0.40	+0.20 -0.40	+0.030 -0.000
CPS1-M301	M3x0.5	8	5	2	16.5	9.5	7	1	1.5
CPS1-M302	M3x0.5	8	5	2	18	11	7	1	1.5
CPS1-M303	M3x0.5	8	5	2	20	13	7	1	1.5
CPS1-M304	M3x0.5	8	5	2	21.5	14.5	7	1	1.5
CPS1-M305	M3x0.5	8	5	2	23	16	7	1	1.5
CPS1-M3.501	M3.5x0.6	8	5	2.5	16.5	9.5	7	1.2	1.5
CPS1-M3.502	M3.5x0.6	8	5	2.5	18	11	7	1.2	1.5
CPS1-M3.503	M3.5x0.6	8	5	2.5	20	13	7	1.2	1.5
CPS1-M3.504	M3.5x0.6	8	5	2.5	21.5	14.5	7	1.2	1.5
CPS1-M3.505	M3.5x0.6	8	5	2.5	23	16	7	1.2	1.5
CPS1-M3.506	M3.5x0.6	9.5	5	2.5	16.5	9.5	7	1.2	1.5
CPS1-M3.507	M3.5x0.6	9.5	5	2.5	18	11	7	1.2	1.5
CPS1-M3.508	M3.5x0.6	9.5	5	2.5	20	13	7	1.2	1.5
CPS1-M3.509	M3.5x0.6	9.5	5	2.5	21.5	14.5	7	1.2	1.5
CPS1-M3.510	M3.5x0.6	9.5	5	2.5	23	16	7	1.2	1.5
CPS1-M401	M4x0.7	11	6.5	3	16	6.5	9.5	1.5	1.5
CPS1-M402	M4x0.7	11	6.5	3	17.5	8	9.5	1.5	1.5
CPS1-M403	M4x0.7	11	6.5	3	19	9.5	9.5	1.5	1.5
CPS1-M404	M4x0.7	11	6.5	3	20.5	11	9.5	1.5	1.5
CPS1-M405	M4x0.7	11	6.5	3	22	12.5	9.5	1.5	1.5
CPS1-M406	M4x0.7	11	6.5	3	24	14.5	9.5	1.5	1.5
CPS1-M407	M4x0.7	11	6.5	3	25.5	16	9.5	1.5	1.5
CPS1-M408	M4x0.7	11	6.5	3	27	17.5	9.5	1.5	1.5
CPS1-M409	M4x0.7	11	6.5	3	28.5	19	9.5	1.5	1.5
CPS1-M410	M4x0.7	11	6.5	3	30.5	21	9.5	1.5	1.5
CPS1-M411	M4x0.7	11	6.5	3	32	22.5	9.5	1.5	1.5

Custom modified products are available.

CAPTIVE PANEL SCREW STYLE 1

Metric Standard

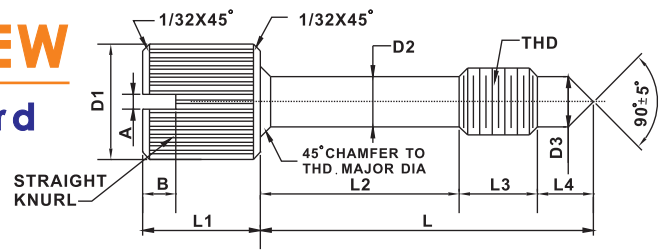


Part No.	Thread	D1	L1	D2	L	L2	L3	A	B
		+0.40 -0.40	+0.40 -0.40	+0.20 -0.20	+0.40 -0.40	+0.30 -0.30	+0.40 -0.40	+0.20 -0.40	+ .030 - .000
CPS1-M501	M5x0.8	11	6.5	3.5	16	6.5	9.5	1.5	1.5
CPS1-M502	M5x0.8	11	6.5	3.5	17.5	8	9.5	1.5	1.5
CPS1-M503	M5x0.8	11	6.5	3.5	19	9.5	9.5	1.5	1.5
CPS1-M504	M5x0.8	11	6.5	3.5	20.5	11	9.5	1.5	1.5
CPS1-M505	M5x0.8	11	6.5	3.5	22	12.5	9.5	1.5	1.5
CPS1-M506	M5x0.8	11	6.5	3.5	24	14.5	9.5	1.5	1.5
CPS1-M507	M5x0.8	11	6.5	3.5	25.5	16	9.5	1.5	1.5
CPS1-M508	M5x0.8	11	6.5	3.5	27	17.5	9.5	1.5	1.5
CPS1-M509	M5x0.8	11	6.5	3.5	28.5	19	9.5	1.5	1.5
CPS1-M510	M5x0.8	11	6.5	3.5	30.5	21	9.5	1.5	1.5
CPS1-M511	M5x0.8	11	6.5	3.5	32	22.5	9.5	1.5	1.5
CPS1-M512	M5x0.8	11	6.5	3.5	33.5	24	9.5	1.5	1.5
CPS1-M513	M5x0.8	11	6.5	3.5	35	25.5	9.5	1.5	1.5
CPS1-M514	M5x0.8	11	6.5	3.5	36.5	27	9.5	1.5	1.5
CPS1-M515	M5x0.8	11	6.5	3.5	38	28.5	9.5	1.5	1.5
CPS1-M601	M6x1.0	14.5	6.5	4.5	16	6.5	9.5	1.5	2.5
CPS1-M602	M6x1.0	14.5	6.5	4.5	17.5	8	9.5	1.5	2.5
CPS1-M603	M6x1.0	14.5	6.5	4.5	19	9.5	9.5	1.5	2.5
CPS1-M604	M6x1.0	14.5	6.5	4.5	20.5	11	9.5	1.5	2.5
CPS1-M605	M6x1.0	14.5	6.5	4.5	22	12.5	9.5	1.5	2.5
CPS1-M606	M6x1.0	14.5	6.5	4.5	24	14.5	9.5	1.5	2.5
CPS1-M607	M6x1.0	14.5	6.5	4.5	25.5	16	9.5	1.5	2.5
CPS1-M608	M6x1.0	14.5	6.5	4.5	27	17.5	9.5	1.5	2.5
CPS1-M609	M6x1.0	14.5	6.5	4.5	28.5	19	9.5	1.5	2.5
CPS1-M610	M6x1.0	14.5	6.5	4.5	30.5	21	9.5	1.5	2.5
CPS1-M611	M6x1.0	14.5	6.5	4.5	32	22.5	9.5	1.5	2.5
CPS1-M612	M6x1.0	14.5	6.5	4.5	33.5	24	9.5	1.5	2.5
CPS1-M613	M6x1.0	14.5	6.5	4.5	35	25.5	9.5	1.5	2.5
CPS1-M614	M6x1.0	14.5	6.5	4.5	36.5	27	9.5	1.5	2.5
CPS1-M615	M6x1.0	14.5	6.5	4.5	38	28.5	9.5	1.5	2.5
CPS1-M616	M6x1.0	14.5	6.5	4.5	39.5	30	9.5	1.5	2.5
CPS1-M617	M6x1.0	14.5	6.5	4.5	41.5	32	9.5	1.5	2.5
CPS1-M618	M6x1.0	14.5	6.5	4.5	43	33.5	9.5	1.5	2.5
CPS1-M619	M6x1.0	14.5	6.5	4.5	44.5	35	9.5	1.5	2.5
CPS1-M620	M6x1.0	14.5	6.5	4.5	46	36	9.5	1.5	2.5
CPS1-M621	M6x1.0	14.5	6.5	4.5	47.5	38	9.5	1.5	2.5
CPS1-M622	M6x1.0	14.5	6.5	4.5	49	39.5	9.5	1.5	2.5
CPS1-M623	M6x1.0	14.5	6.5	4.5	51	41.5	9.5	1.5	2.5

Custom modified products are available.

CAPTIVE PANEL SCREW STYLE 2

Metric Standard

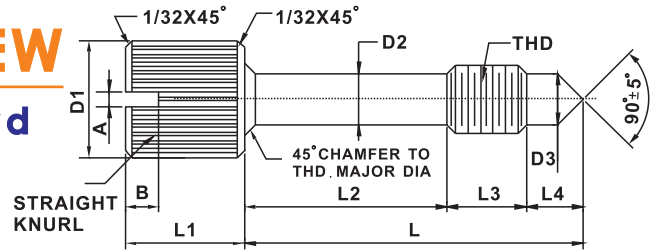


Part No.	Thread	D1	L1	D2	D3	L	L2	L3	L4	A	B
		+0.50 -0.20	+0.30 -0.30	+0.15 -0.15	+0.00 -0.30	+0.50 -0.50	+0.30 -0.30	+0.00 -0.40	+0.40 -0.40	+0.20 -0.00	+0.030 -0.000
CPS2-M301	M3x0.5	6.5	6.5	2	2	9.5	4.3	3.2	2	1.2	2
CPS2-M302	M3x0.5	6.5	6.5	2	2	11	5.8	3.2	2	1.2	2
CPS2-M303	M3x0.5	6.5	6.5	2	2	13	7.8	3.2	2	1.2	2
CPS2-M304	M3x0.5	6.5	6.5	2	2	14.5	9.3	3.2	2	1.2	2
CPS2-M305	M3x0.5	6.5	6.5	2	2	16	10.8	3.2	2	1.2	2
CPS2-M306	M3x0.5	6.5	6.5	2	2	17.5	12.3	3.2	2	1.2	2
CPS2-M307	M3x0.5	6.5	6.5	2	2	19	13.8	3.2	2	1.2	2
CPS2-M308	M3x0.5	6.5	6.5	2	2	20.5	15.3	3.2	2	1.2	2
CPS2-M309	M3x0.5	6.5	6.5	2	2	22	16.8	3.2	2	1.2	2
CPS2-M310	M3x0.5	6.5	6.5	2	2	24	18.8	3.2	2	1.2	2
CPS2-M311	M3x0.5	6.5	6.5	2	2	25.5	20.3	3.2	2	1.2	2
CPS2-M312	M3x0.5	8	8	2	2	9.5	4.3	3.2	2	1.2	2
CPS2-M313	M3x0.5	8	8	2	2	11	5.8	3.2	2	1.2	2
CPS2-M314	M3x0.5	8	8	2	2	13	7.8	3.2	2	1.2	2
CPS2-M315	M3x0.5	8	8	2	2	14.5	9.3	3.2	2	1.2	2
CPS2-M316	M3x0.5	8	8	2	2	16	10.8	3.2	2	1.2	2
CPS2-M317	M3x0.5	8	8	2	2	17.5	12.3	3.2	2	1.2	2
CPS2-M318	M3x0.5	8	8	2	2	19	13.8	3.2	2	1.2	2
CPS2-M319	M3x0.5	8	8	2	2	20.5	15.3	3.2	2	1.2	2
CPS2-M320	M3x0.5	8	8	2	2	22	16.8	3.2	2	1.2	2
CPS2-M321	M3x0.5	8	8	2	2	24	18.8	3.2	2	1.2	2
CPS2-M322	M3x0.5	8	8	2	2	25.5	20.3	3.2	2	1.2	2
CPS2-M3.501	M3.5x0.6	8	8	2.5	2.5	11	3	5.5	2.5	1.2	2
CPS2-M3.502	M3.5x0.6	8	8	2.5	2.5	13	5	5.5	2.5	1.2	2
CPS2-M3.503	M3.5x0.6	8	8	2.5	2.5	14.5	6.5	5.5	2.5	1.2	2
CPS2-M3.504	M3.5x0.6	8	8	2.5	2.5	16	8	5.5	2.5	1.2	2
CPS2-M3.505	M3.5x0.6	8	8	2.5	2.5	17.5	9.5	5.5	2.5	1.2	2
CPS2-M3.506	M3.5x0.6	8	8	2.5	2.5	19	11	5.5	2.5	1.2	2
CPS2-M3.507	M3.5x0.6	8	8	2.5	2.5	20.5	12.5	5.5	2.5	1.2	2
CPS2-M3.508	M3.5x0.6	8	8	2.5	2.5	22	14	5.5	2.5	1.2	2
CPS2-M3.509	M3.5x0.6	8	8	2.5	2.5	24	16	5.5	2.5	1.2	2
CPS2-M3.510	M3.5x0.6	8	8	2.5	2.5	25.5	17.5	5.5	2.5	1.2	2
CPS2-M3.511	M3.5x0.6	8	8	2.5	2.5	27	19	5.5	2.5	1.2	2
CPS2-M3.512	M3.5x0.6	8	8	2.5	2.5	28.5	20.5	5.5	2.5	1.2	2
CPS2-M3.513	M3.5x0.6	8	8	2.5	2.5	30.5	22.5	5.5	2.5	1.2	2
CPS2-M3.514	M3.5x0.6	8	8	2.5	2.5	32	24	5.5	2.5	1.2	2
CPS2-M401	M4x0.7	8	8	3	3	11	3	5.5	2.5	1.2	2
CPS2-M402	M4x0.7	8	8	3	3	13	5	5.5	2.5	1.2	2
CPS2-M403	M4x0.7	8	8	3	3	14.5	6.5	5.5	2.5	1.2	2
CPS2-M404	M4x0.7	8	8	3	3	16	8	5.5	2.5	1.2	2
CPS2-M405	M4x0.7	8	8	3	3	17.5	9.5	5.5	2.5	1.2	2
CPS2-M406	M4x0.7	8	8	3	3	19	11	5.5	2.5	1.2	2
CPS2-M407	M4x0.7	8	8	3	3	20.5	12.5	5.5	2.5	1.2	2
CPS2-M408	M4x0.7	8	8	3	3	22	14	5.5	2.5	1.2	2
CPS2-M409	M4x0.7	8	8	3	3	24	16	5.5	2.5	1.2	2
CPS2-M410	M4x0.7	8	8	3	3	25.5	17.5	5.5	2.5	1.2	2
CPS2-M411	M4x0.7	8	8	3	3	27	19	5.5	2.5	1.2	2
CPS2-M412	M4x0.7	8	8	3	3	28.5	20.5	5.5	2.5	1.2	2
CPS2-M413	M4x0.7	8	8	3	3	30.5	22.5	5.5	2.5	1.2	2
CPS2-M414	M4x0.7	8	8	3	3	32	24	5.5	2.5	1.2	2

Custom modified products are available.

CAPTIVE PANEL SCREW STYLE 2

Metric Standard

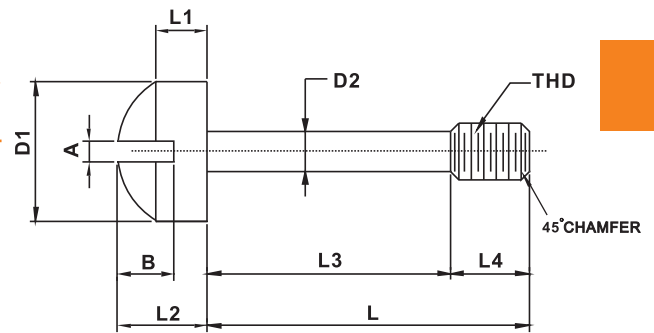


Part No.	Thread	D1	L1	D2	D3	L	L2	L3	L4	A	B
		+0.50 -0.20	+0.30 -0.30	+0.15 -0.15	+0.00 -0.30	+0.50 -0.50	+0.30 -0.30	+0.00 -0.40	+0.40 -0.40	+0.20 -0.00	+0.30 -0.000
CPS2-M501	M5x0.8	9.5	11	3.5	3.5	13	2.5	6.5	4	1.5	2.5
CPS2-M502	M5x0.8	9.5	11	3.5	3.5	14.5	4	6.5	4	1.5	2.5
CPS2-M503	M5x0.8	9.5	11	3.5	3.5	16	5.5	6.5	4	1.5	2.5
CPS2-M504	M5x0.8	9.5	11	3.5	3.5	17.5	7	6.5	4	1.5	2.5
CPS2-M505	M5x0.8	9.5	11	3.5	3.5	19	8.5	6.5	4	1.5	2.5
CPS2-M506	M5x0.8	9.5	11	3.5	3.5	20.5	10	6.5	4	1.5	2.5
CPS2-M507	M5x0.8	9.5	11	3.5	3.5	22	11.5	6.5	4	1.5	2.5
CPS2-M508	M5x0.8	9.5	11	3.5	3.5	24	13.5	6.5	4	1.5	2.5
CPS2-M509	M5x0.8	9.5	11	3.5	3.5	25.5	15	6.5	4	1.5	2.5
CPS2-M510	M5x0.8	9.5	11	3.5	3.5	27	16.5	6.5	4	1.5	2.5
CPS2-M511	M5x0.8	9.5	11	3.5	3.5	28.5	18	6.5	4	1.5	2.5
CPS2-M512	M5x0.8	9.5	11	3.5	3.5	30.5	20	6.5	4	1.5	2.5
CPS2-M513	M5x0.8	9.5	11	3.5	3.5	32	21.5	6.5	4	1.5	2.5
CPS2-M514	M5x0.8	9.5	11	3.5	3.5	33.5	23	6.5	4	1.5	2.5
CPS2-M515	M5x0.8	9.5	11	3.5	3.5	35	24.5	6.5	4	1.5	2.5
CPS2-M516	M5x0.8	9.5	11	3.5	3.5	36.5	26	6.5	4	1.5	2.5
CPS2-M517	M5x0.8	9.5	11	3.5	3.5	38	27.5	6.5	4	1.5	2.5
CPS2-M601	M6x1.0	12.5	14.5	4.5	4.5	16	3	8	5	2	2.5
CPS2-M602	M6x1.0	12.5	14.5	4.5	4.5	17.5	4.5	8	5	2	2.5
CPS2-M603	M6x1.0	12.5	14.5	4.5	4.5	19	6	8	5	2	2.5
CPS2-M604	M6x1.0	12.5	14.5	4.5	4.5	20.5	7.5	8	5	2	2.5
CPS2-M605	M6x1.0	12.5	14.5	4.5	4.5	22	9	8	5	2	2.5
CPS2-M606	M6x1.0	12.5	14.5	4.5	4.5	24	11	8	5	2	2.5
CPS2-M607	M6x1.0	12.5	14.5	4.5	4.5	25.5	12.5	8	5	2	2.5
CPS2-M608	M6x1.0	12.5	14.5	4.5	4.5	27	14	8	5	2	2.5
CPS2-M609	M6x1.0	12.5	14.5	4.5	4.5	28.5	15.5	8	5	2	2.5
CPS2-M610	M6x1.0	12.5	14.5	4.5	4.5	30.5	17.5	8	5	2	2.5
CPS2-M611	M6x1.0	12.5	14.5	4.5	4.5	32	19	8	5	2	2.5
CPS2-M612	M6x1.0	12.5	14.5	4.5	4.5	33.5	20.5	8	5	2	2.5
CPS2-M613	M6x1.0	12.5	14.5	4.5	4.5	35	22	8	5	2	2.5
CPS2-M614	M6x1.0	12.5	14.5	4.5	4.5	36.5	23.5	8	5	2	2.5
CPS2-M615	M6x1.0	12.5	14.5	4.5	4.5	38	25	8	5	2	2.5
CPS2-M616	M6x1.0	12.5	14.5	4.5	4.5	39.5	26.5	8	5	2	2.5
CPS2-M617	M6x1.0	12.5	14.5	4.5	4.5	41.5	28.5	8	5	2	2.5
CPS2-M618	M6x1.0	12.5	14.5	4.5	4.5	43	30	8	5	2	2.5
CPS2-M619	M6x1.0	12.5	14.5	4.5	4.5	44.5	31.5	8	5	2	2.5
CPS2-M620	M6x1.0	12.5	14.5	4.5	4.5	46	33	8	5	2	2.5
CPS2-M621	M6x1.0	12.5	14.5	4.5	4.5	47.5	34.5	8	5	2	2.5
CPS2-M622	M6x1.0	12.5	14.5	4.5	4.5	49	36	8	5	2	2.5
CPS2-M623	M6x1.0	12.5	14.5	4.5	4.5	51	38	8	5	2	2.5

Custom modified products are available.

CAPTIVE PANEL SCREW

STYLE 4 Metric Standard



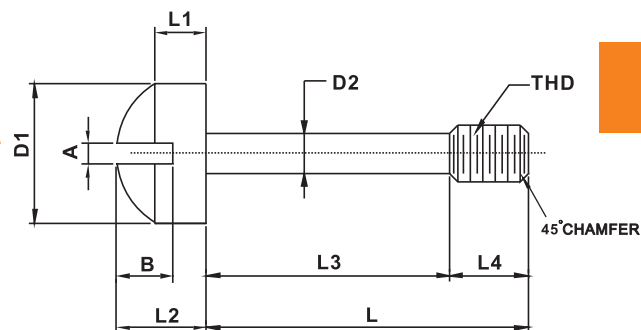
Part No.	Thread	D1	L1	D2	L	L2	L3	L4	A	B
		+0.20 -0.20	+0.00 -0.30	+0.15 -0.15	+0.50 -0.50	+0.00 -0.40	+0.30 -0.30	+0.30 -0.30	+0.00 -0.30	+0.00 -0.040
CPS4-M201	M2x0.4	3.2	1.5	1.5	6.5	2	2.5	4	0.8	1
CPS4-M202	M2x0.4	3.2	1.5	1.5	8	2	4	4	0.8	1
CPS4-M203	M2x0.4	3.2	1.5	1.5	9.5	2	5.5	4	0.8	1
CPS4-M204	M2x0.4	3.2	1.5	1.5	11	2	7	4	0.8	1
CPS4-M205	M2x0.4	3.2	1.5	1.5	13	2	9	4	0.8	1
CPS4-M206	M2x0.4	3.2	1.5	1.5	14.5	2	10.5	4	0.8	1
CPS4-M207	M2x0.4	3.2	1.5	1.5	16	2	12	4	0.8	1
CPS4-M208	M2x0.4	3.2	1.5	1.5	17.5	2	13.5	4	0.8	1
CPS4-M209	M2x0.4	3.2	1.5	1.5	19	2	15	4	0.8	1
CPS4-M2.501	M2.5x0.45	4	1.8	1.8	6.5	2.5	2.5	4	0.9	1.1
CPS4-M2.502	M2.5x0.45	4	1.8	1.8	8	2.5	4	4	0.9	1.1
CPS4-M2.503	M2.5x0.45	4	1.8	1.8	9.5	2.5	5.5	4	0.9	1.1
CPS4-M2.504	M2.5x0.45	4	1.8	1.8	11	2.5	7	4	0.9	1.1
CPS4-M2.505	M2.5x0.45	4	1.8	1.8	13	2.5	9	4	0.9	1.1
CPS4-M2.506	M2.5x0.45	4	1.8	1.8	14.5	2.5	10.5	4	0.9	1.1
CPS4-M2.507	M2.5x0.45	4	1.8	1.8	16	2.5	12	4	0.9	1.1
CPS4-M2.508	M2.5x0.45	4	1.8	1.8	17.5	2.5	13.5	4	0.9	1.1
CPS4-M2.509	M2.5x0.45	4	1.8	1.8	19	2.5	15	4	0.9	1.1
CPS4-M301	M3x0.5	4.3	2	2	6.5	2.7	1.7	4.8	1	1.2
CPS4-M302	M3x0.5	4.3	2	2	8	2.7	3.2	4.8	1	1.2
CPS4-M303	M3x0.5	4.3	2	2	9.5	2.7	4.7	4.8	1	1.2
CPS4-M304	M3x0.5	4.3	2	2	11	2.7	6.2	4.8	1	1.2
CPS4-M305	M3x0.5	4.3	2	2	13	2.7	8.2	4.8	1	1.2
CPS4-M306	M3x0.5	4.3	2	2	14.5	2.7	9.7	4.8	1	1.2
CPS4-M307	M3x0.5	4.3	2	2	16	2.7	11.2	4.8	1	1.2
CPS4-M308	M3x0.5	4.3	2	2	17.5	2.7	12.7	4.8	1	1.2
CPS4-M309	M3x0.5	4.3	2	2	19	2.7	14.2	4.8	1	1.2
CPS4-M310	M3x0.5	4.3	2	2	20.5	2.7	15.7	4.8	1	1.2
CPS4-M311	M3x0.5	4.3	2	2	22	2.7	17.2	4.8	1	1.2
CPS4-M312	M3x0.5	4.3	2	2	24	2.7	19.2	4.8	1	1.2
CPS4-M313	M3x0.5	4.3	2	2	25.5	2.7	20.7	4.8	1	1.2
CPS4-M3.501	M3.5x0.6	5.5	2.4	2.4	8	3.3	2.5	5.5	1.2	1.5
CPS4-M3.502	M3.5x0.6	5.5	2.4	2.4	9.5	3.3	4	5.5	1.2	1.5
CPS4-M3.503	M3.5x0.6	5.5	2.4	2.4	11	3.3	5.5	5.5	1.2	1.5
CPS4-M3.504	M3.5x0.6	5.5	2.4	2.4	13	3.3	7.5	5.5	1.2	1.5
CPS4-M3.505	M3.5x0.6	5.5	2.4	2.4	14.5	3.3	9	5.5	1.2	1.5
CPS4-M3.506	M3.5x0.6	5.5	2.4	2.4	16	3.3	10.5	5.5	1.2	1.5
CPS4-M3.507	M3.5x0.6	5.5	2.4	2.4	17.5	3.3	12	5.5	1.2	1.5
CPS4-M3.508	M3.5x0.6	5.5	2.4	2.4	19	3.3	13.5	5.5	1.2	1.5
CPS4-M3.509	M3.5x0.6	5.5	2.4	2.4	20.5	3.3	15	5.5	1.2	1.5
CPS4-M3.510	M3.5x0.6	5.5	2.4	2.4	22	3.3	16.5	5.5	1.2	1.5
CPS4-M3.511	M3.5x0.6	5.5	2.4	2.4	24	3.3	18.5	5.5	1.2	1.5
CPS4-M3.512	M3.5x0.6	5.5	2.4	2.4	25.5	3.3	20	5.5	1.2	1.5

Custom modified products are available.

CAPTIVE PANEL SCREW

STYLE 4

Metric Standard

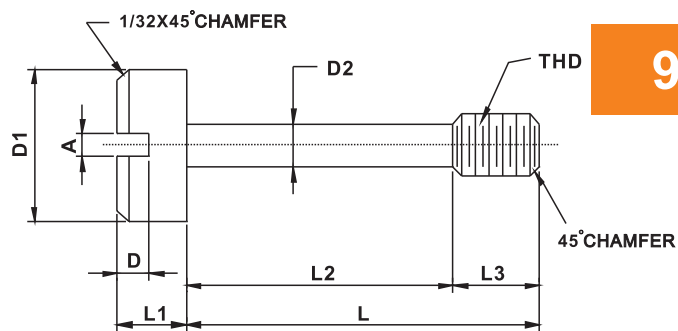


Part No.	Thread	D1	L1	D2	L	L2	L3	L4	A	B
		+0.20 -0.20	+0.00 -0.30	+0.15 -0.15	+0.50 -0.50	+0.00 -0.40	+0.30 -0.30	+0.30 -0.30	+0.00 -0.30	+0.00 -0.040
CPS4-M401	M4x0.7	6.4	2.9	3	8	4	2.5	5.5	1.4	1.8
CPS4-M402	M4x0.7	6.4	2.9	3	9.5	4	4	5.5	1.4	1.8
CPS4-M403	M4x0.7	6.4	2.9	3	11	4	5.5	5.5	1.4	1.8
CPS4-M404	M4x0.7	6.4	2.9	3	13	4	7	5.5	1.4	1.8
CPS4-M405	M4x0.7	6.4	2.9	3	14.5	4	9	5.5	1.4	1.8
CPS4-M406	M4x0.7	6.4	2.9	3	16	4	10.5	5.5	1.4	1.8
CPS4-M407	M4x0.7	6.4	2.9	3	17.5	4	12	5.5	1.4	1.8
CPS4-M408	M4x0.7	6.4	2.9	3	19	4	13.5	5.5	1.4	1.8
CPS4-M409	M4x0.7	6.4	2.9	3	20.5	4	15	5.5	1.4	1.8
CPS4-M410	M4x0.7	6.4	2.9	3	22	4	16.5	5.5	1.4	1.8
CPS4-M411	M4x0.7	6.4	2.9	3	24	4	18.5	5.5	1.4	1.8
CPS4-M412	M4x0.7	6.4	2.9	3	25.5	4	20	5.5	1.4	1.8
CPS4-M413	M4x0.7	6.4	2.9	3	27	4	21.5	5.5	1.4	1.8
CPS4-M414	M4x0.7	6.4	2.9	3	28.5	4	23	5.5	1.4	1.8
CPS4-M415	M4x0.7	6.4	2.9	3	30.5	4	25	5.5	1.4	1.8
CPS4-M416	M4x0.7	6.4	2.9	3	32	4	26.5	5.5	1.4	1.8
CPS4-M501	M5x0.8	8	3.3	3.3	9.5	4.6	2.4	7.1	1.5	2.1
CPS4-M502	M5x0.8	8	3.3	3.3	11	4.6	4	7.1	1.5	2.1
CPS4-M503	M5x0.8	8	3.3	3.3	13	4.6	5.9	7.1	1.5	2.1
CPS4-M504	M5x0.8	8	3.3	3.3	14.5	4.6	7.4	7.1	1.5	2.1
CPS4-M505	M5x0.8	8	3.3	3.3	16	4.6	8.9	7.1	1.5	2.1
CPS4-M506	M5x0.8	8	3.3	3.3	17.5	4.6	10.4	7.1	1.5	2.1
CPS4-M507	M5x0.8	8	3.3	3.3	19	4.6	11.9	7.1	1.5	2.1
CPS4-M508	M5x0.8	8	3.3	3.3	20.5	4.6	13.4	7.1	1.5	2.1
CPS4-M509	M5x0.8	8	3.3	3.3	22	4.6	14.9	7.1	1.5	2.1
CPS4-M510	M5x0.8	8	3.3	3.3	24	4.6	16.9	7.1	1.5	2.1
CPS4-M511	M5x0.8	8	3.3	3.3	25.5	4.6	18.4	7.1	1.5	2.1
CPS4-M512	M5x0.8	8	3.3	3.3	27	4.6	19.9	7.1	1.5	2.1
CPS4-M513	M5x0.8	8	3.3	3.3	28.5	4.6	21.4	7.1	1.5	2.1
CPS4-M514	M5x0.8	8	3.3	3.3	30.5	4.6	23.4	7.1	1.5	2.1
CPS4-M515	M5x0.8	8	3.3	3.3	32	4.6	24.9	7.1	1.5	2.1
CPS4-M516	M5x0.8	8	3.3	3.3	33.5	4.6	26.4	7.1	1.5	2.1
CPS4-M517	M5x0.8	8	3.3	3.3	35	4.6	27.9	7.1	1.5	2.1
CPS4-M518	M5x0.8	8	3.3	3.3	36.5	4.6	29.4	7.1	1.5	2.1
CPS4-M519	M5x0.8	8	3.3	3.3	38	4.6	30.9	7.1	1.5	2.1

Custom modified products are available.

CAPTIVE PANEL SCREW STYLE 6

Metric Standard

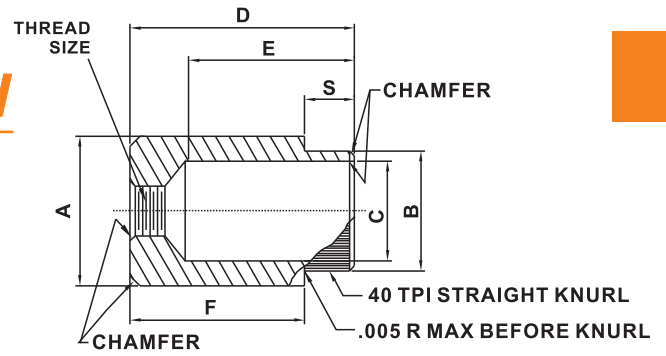


Part No.	Thread	D1	L1	D2	L	L2	L3	A	B
		+0.20 -0.20	+0.30 -0.30	+0.00 -0.15	+0.30 -0.15	+0.15 -0.00	+0.15 -0.15	+0.15 -0.00	+0.030 -0.000
CPS6-M301	M3x0.5	6.4	3.2	2	11.9	7.1	4.8	1.2	1.2
CPS6-M302	M3x0.5	6.4	3.2	2	13.5	8.7	4.8	1.2	1.2
CPS6-M3.501	M3.5x0.6	7.1	3.2	2.4	13.5	8	5.5	1.2	1.2
CPS6-M3.502	M3.5x0.6	7.1	3.2	2.4	15	9.5	5.5	1.2	1.2
CPS6-M3.503	M3.5x0.6	7.1	3.2	2.4	16.6	11.1	5.5	1.2	1.2
CPS6-M401	M4x0.7	8	4	3	16.7	10.3	6.4	1.5	1.5
CPS6-M402	M4x0.7	8	4	3	18.3	11.9	6.4	1.5	1.5
CPS6-M403	M4x0.7	8	4	3	19.9	13.5	6.4	1.5	1.5
CPS6-M501	M5x0.8	9.5	4.8	3.3	21.4	13.5	7.9	1.5	1.5
CPS6-M502	M5x0.8	9.5	4.8	3.3	23	15.1	7.9	1.5	1.5

Custom modified products are available.

CAPTIVE PANEL SCREW STYLE 1

Metric Standard



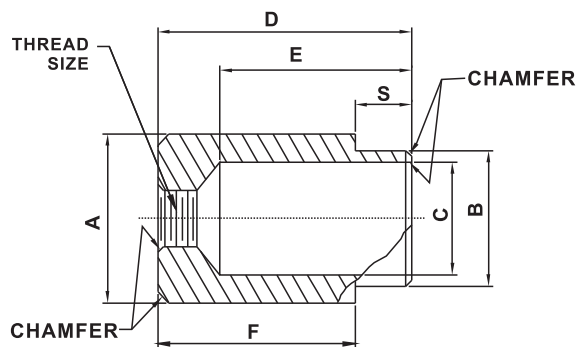
Part No.	Thread	Panel	A	B	C	D	E	F	S
			+0.1 -0.1	+0.05 -0.05	+0.10 -0.03	+0.30 -0.30	+0.15 -0.15	+0.15 -0.15	+0.15 -0.15
PSR1-M301	M3x0.5	1.2-1.8	7	5	3.8	6.5	4.2	5.2	1.3
PSR1-M302	M3x0.5	1.9-2.8	7	5	3.8	6.5	4.2	4.3	2
PSR1-M303	M3x0.5	3-4	7	5	3.8	6.5	4.2	3.2	3.2
PSR1-M3.501	M3.5x0.6	1.2-1.8	7	5	3.8	8	5.3	6.7	1.3
PSR1-M3.502	M3.5x0.6	1.9-2.8	7	5	3.8	8	5.3	6	2
PSR1-M3.503	M3.5x0.6	3-4	7	5	3.8	8	5.3	4.8	3.2
PSR1-M3.504	M3.5x0.6	4.8	7	5	3.8	8	5.3	3.2	4.8
PSR1-M401	M4x0.7	1.2-1.8	8	5.8	4.8	8	5.3	6.7	1.3
PSR1-M402	M4x0.7	1.9-2.8	8	5.8	4.8	8	5.3	6	2
PSR1-M403	M4x0.7	3-4	8	5.8	4.8	8	5.3	4.8	3.2
PSR1-M404	M4x0.7	4.8	8	5.8	4.8	8	5.3	3.2	4.8
PSR1-M501	M5x0.8	1.2-1.8	10	7.1	5.8	9.5	6	8.2	1.3
PSR1-M502	M5x0.8	1.9-2.8	10	7.1	5.8	9.5	6	7.5	2
PSR1-M503	M5x0.8	3-4	10	7.1	5.8	9.5	6	6.3	3.2
PSR1-M504	M5x0.8	4.8	10	7.1	5.8	9.5	6	4.7	4.8
PSR1-M505	M5x0.8	6.5	10	7.1	5.8	9.5	6	3.1	6.4
PSR1-M601	M6x1.0	1.2-1.8	13	9.3	7.5	11	7.4	9.7	1.3
PSR1-M602	M6x1.0	1.9-2.8	13	9.3	7.5	11	7.4	9	2
PSR1-M603	M6x1.0	3-4	13	9.3	7.5	11	7.4	7.8	3.2
PSR1-M604	M6x1.0	4.8	13	9.3	7.5	11	7.4	6.2	4.8
PSR1-M605	M6x1.0	6.5	13	9.3	7.5	11	7.4	4.6	6.4

Custom modified products are available.

TEL:886.4.7369788 FAX:886.4.22569335 <http://www.etm-co.com>

CAPTIVE PANEL SCREW STYLE 2

Metric Standard



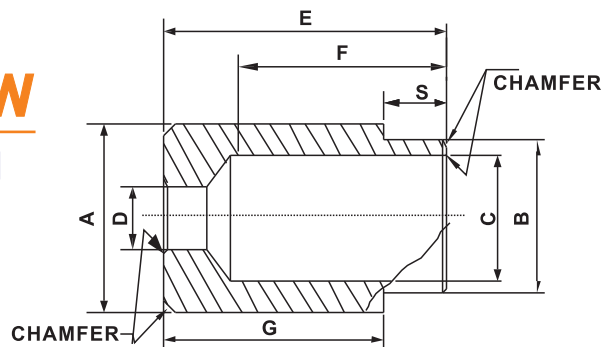
Part No.	Thread	Panel	A	B	C	D	E	F	S
			+0.10 -0.10	+0.05 -0.05	+0.10 -0.03	+0.30 -0.30	+0.15 -0.15	+0.15 -0.15	+0.15 -0.15
PSR2-M301	M3x0.5	1.3-1.7	8	6.3	5.3	9.5	6.7	7.9	1.6
PSR2-M302	M3x0.5	2.1-2.5	8	6.3	5.3	9.5	6.7	7.1	2.4
PSR2-M303	M3x0.5	2.8-3.6	8	6.3	5.3	9.5	6.7	6.3	3.2
PSR2-M304	M3x0.5	4.3-5.2	8	6.3	5.3	9.5	6.7	4.7	4.8
PSR2-M3.501	M3.5x0.6	1.3-1.7	8	6.3	5.3	9.5	6.7	7.9	1.6
PSR2-M3.502	M3.5x0.6	2.1-2.5	8	6.3	5.3	9.5	6.7	7.1	2.4
PSR2-M3.503	M3.5x0.6	2.8-3.6	8	6.3	5.3	9.5	6.7	6.3	3.2
PSR2-M3.504	M3.5x0.6	4.3-5.2	8	6.3	5.3	9.5	6.7	4.7	4.8
PSR2-M3.505	M3.5x0.6	5.9-6.7	8	6.3	5.3	9.5	6.7	3.1	6.4
PSR2-M401	M4x0.7	1.3-1.7	13	11	9.8	14.3	9.9	12.7	1.6
PSR2-M402	M4x0.7	2.1-2.5	13	11	9.8	14.3	9.9	11.9	2.4
PSR2-M403	M4x0.7	2.8-3.6	13	11	9.8	14.3	9.9	11.1	3.2
PSR2-M404	M4x0.7	4.3-5.2	13	11	9.8	14.3	9.9	9.5	4.8
PSR2-M405	M4x0.7	5.9-6.7	13	11	9.8	14.3	9.9	7.9	6.4
PSR2-M501	M5x0.8	1.3-1.7	13	11	9.8	14.3	10	12.7	1.6
PSR2-M502	M5x0.8	2.1-2.5	13	11	9.8	14.3	10	11.9	2.4
PSR2-M503	M5x0.8	2.8-3.6	13	11	9.8	14.3	10	11.1	3.2
PSR2-M504	M5x0.8	4.3-5.2	13	11	9.8	14.3	10	9.5	4.8
PSR2-M505	M5x0.8	5.9-6.7	13	11	9.8	14.3	10	7.9	6.4
PSR2-M601	M6x1.0	1.3-1.7	13	11	9.8	14.3	10.2	12.7	1.6
PSR2-M602	M6x1.0	2.1-2.5	13	11	9.8	14.3	10.2	11.9	2.4
PSR2-M603	M6x1.0	2.8-3.6	13	11	9.8	14.3	10.2	11.1	3.2
PSR2-M604	M6x1.0	4.3-5.2	13	11	9.8	14.3	10.2	9.5	4.8
PSR2-M605	M6x1.0	5.9-6.7	13	11	9.8	14.3	10.2	7.9	6.4

Custom modified products are available.

TEL:886.4.7369788 FAX:886.4.22569335 <http://www.etm-co.com>

CAPTIVE PANEL SCREW

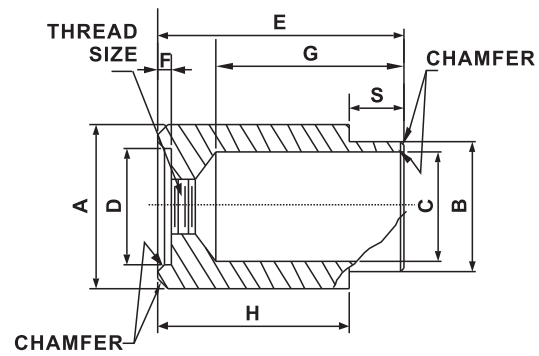
STYLE 3 Metric Standard



Part No.	Thread	Panel	A	B	C	D	E	F	G	S
			+0.10 -0.10	+0.05 -0.05	+0.10 -0.03	+0.10 -0.03	+0.30 -0.30	+0.30 -0.30	+0.13 -0.13	+0.13 -0.13
PSR3-M301	M3x0.5	1.3-1.7	8	6.3	5.3	3.2	9.5	7.6	7.9	1.6
PSR3-M302	M3x0.5	2.1-2.5	8	6.3	5.3	3.2	9.5	7.6	7.1	2.4
PSR3-M303	M3x0.5	2.8-3.6	8	6.3	5.3	3.2	9.5	7.6	6.3	3.2
PSR3-M304	M3x0.5	4.3-5.2	8	6.3	5.3	3.2	9.5	7.6	4.7	4.8
PSR3-M3.501	M3.5x0.6	1.3-1.7	8	6.3	5.3	3.9	9.5	7.7	7.9	1.6
PSR3-M3.502	M3.5x0.6	2.1-2.5	8	6.3	5.3	3.9	9.5	7.7	7.1	2.4
PSR3-M3.503	M3.5x0.6	2.8-3.6	8	6.3	5.3	3.9	9.5	7.7	6.3	3.2
PSR3-M3.504	M3.5x0.6	4.3-5.2	8	6.3	5.3	3.9	9.5	7.7	4.7	4.8
PSR3-M3.505	M3.5x0.6	5.9-6.7	8	6.3	5.3	3.9	9.5	7.7	3.1	6.4
PSR3-M401	M4x0.7	1.3-1.7	13	11	9.8	4.5	14.3	11.4	12.7	1.6
PSR3-M402	M4x0.7	2.1-2.5	13	11	9.8	4.5	14.3	11.4	11.9	2.4
PSR3-M403	M4x0.7	2.8-3.6	13	11	9.8	4.5	14.3	11.4	11.7	3.2
PSR3-M404	M4x0.7	4.3-5.2	13	11	9.8	4.5	14.3	11.4	9.5	4.8
PSR3-M405	M4x0.7	5.9-6.7	13	11	9.8	4.5	14.3	11.4	7.9	6.4
PSR3-M501	M5x0.8	1.3-1.7	13	11	9.8	4.5	14.3	11.8	12.7	1.6
PSR3-M502	M5x0.8	2.1-2.5	13	11	9.8	4.5	14.3	11.8	11.9	2.4
PSR3-M503	M5x0.8	2.8-3.6	13	11	9.8	4.5	14.3	11.8	11.7	3.2
PSR3-M504	M5x0.8	4.3-5.2	13	11	9.8	4.5	14.3	11.8	9.5	4.8
PSR3-M505	M5x0.8	5.9-6.7	13	11	9.8	4.5	14.3	11.8	7.9	6.4
PSR3-M601	M6x1.0	1.3-1.7	13	11	9.8	6.5	14.3	12.1	12.7	1.6
PSR3-M602	M6x1.0	2.1-2.5	13	11	9.8	6.5	14.3	12.1	11.9	2.4
PSR3-M603	M6x1.0	2.8-3.6	13	11	9.8	6.5	14.3	12.1	11.7	3.2
PSR3-M604	M6x1.0	4.3-5.2	13	11	9.8	6.5	14.3	12.1	9.5	4.8
PSR3-M605	M6x1.0	5.9-6.7	13	11	9.8	6.5	14.3	12.1	7.9	6.4

Custom modified products are available.

CAPTIVE PANEL SCREW STYLE 4 Metric Standard

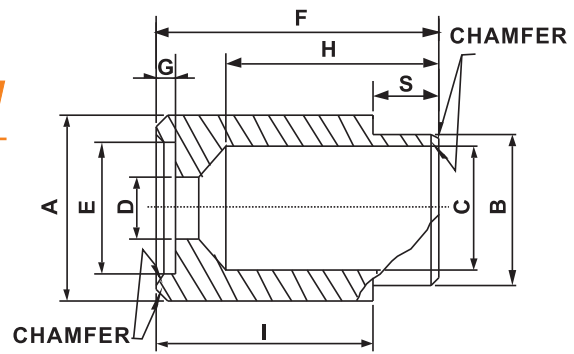


Part No.	Thread	Panel	A	B	C	D	E	F	G	H	S
			+0.10 -0.10	+0.05 -0.05	+0.10 -0.03	+0.15 -0.00	+0.30 -0.30	+0.30 -0.00	+0.15 -0.15	+0.15 -0.15	+0.15 -0.15
PSR4-M301	M3x0.5	1.3-1.7	8	6.3	5.3	4.9	11	2	7.5	9.4	1.6
PSR4-M302	M3x0.5	2.1-2.5	8	6.3	5.3	4.9	11	2	7.5	8.6	2.4
PSR4-M303	M3x0.5	2.8-3.6	8	6.3	5.3	4.9	11	2	7.5	7.8	3.2
PSR4-M304	M3x0.5	4.3-5.2	8	6.3	5.3	4.9	11	2	7.5	6.2	4.8
PSR4-M305	M3x0.5	5.9-6.7	8	6.3	5.3	4.9	11	2	7.5	4.6	6.4
PSR4-M3.501	M3.5x0.6	1.3-1.7	8	6.3	5.3	4.9	11	2	7.6	9.4	1.6
PSR4-M3.502	M3.5x0.6	2.1-2.5	8	6.3	5.3	4.9	11	2	7.6	8.6	2.4
PSR4-M3.503	M3.5x0.6	2.8-3.6	8	6.3	5.3	4.9	11	2	7.6	7.8	3.2
PSR4-M3.504	M3.5x0.6	4.3-5.2	8	6.3	5.3	4.9	11	2	7.6	6.2	4.8
PSR4-M3.505	M3.5x0.6	5.9-6.7	8	6.3	5.3	4.9	11	2	7.6	4.6	6.4
PSR4-M401	M4x0.7	1.3-1.7	13	11	9.8	7.9	16	2.4	9.9	14.4	1.6
PSR4-M402	M4x0.7	2.1-2.5	13	11	9.8	7.9	16	2.4	9.9	13.6	2.4
PSR4-M403	M4x0.7	2.8-3.6	13	11	9.8	7.9	16	2.4	9.9	12.8	3.2
PSR4-M404	M4x0.7	4.3-5.2	13	11	9.8	7.9	16	2.4	9.9	11.2	4.8
PSR4-M405	M4x0.7	5.9-6.7	13	11	9.8	7.9	16	2.4	9.9	9.6	6.4
PSR4-M501	M5x0.8	1.3-1.7	13	11	9.8	7.9	16	2.4	10	14.4	1.6
PSR4-M502	M5x0.8	2.1-2.5	13	11	9.8	7.9	16	2.4	10	13.6	2.4
PSR4-M503	M5x0.8	2.8-3.6	13	11	9.8	7.9	16	2.4	10	12.8	3.2
PSR4-M504	M5x0.8	4.3-5.2	13	11	9.8	7.9	16	2.4	10	11.2	4.8
PSR4-M505	M5x0.8	5.9-6.7	13	11	9.8	7.9	16	2.4	10	9.6	6.4
PSR4-M601	M6x1.0	1.3-1.7	13	11	9.8	7.9	16	2.4	10.2	14.4	1.6
PSR4-M602	M6x1.0	2.1-2.5	13	11	9.8	7.9	16	2.4	10.2	13.6	2.4
PSR4-M603	M6x1.0	2.8-3.6	13	11	9.8	7.9	16	2.4	10.2	12.8	3.2
PSR4-M604	M6x1.0	4.3-5.2	13	11	9.8	7.9	16	2.4	10.2	11.2	4.8
PSR4-M605	M6x1.0	5.9-6.7	13	11	9.8	7.9	16	2.4	10.2	9.6	6.4

Custom modified products are available.

CAPTIVE PANEL SCREW

STYLE 5 Metric Standard

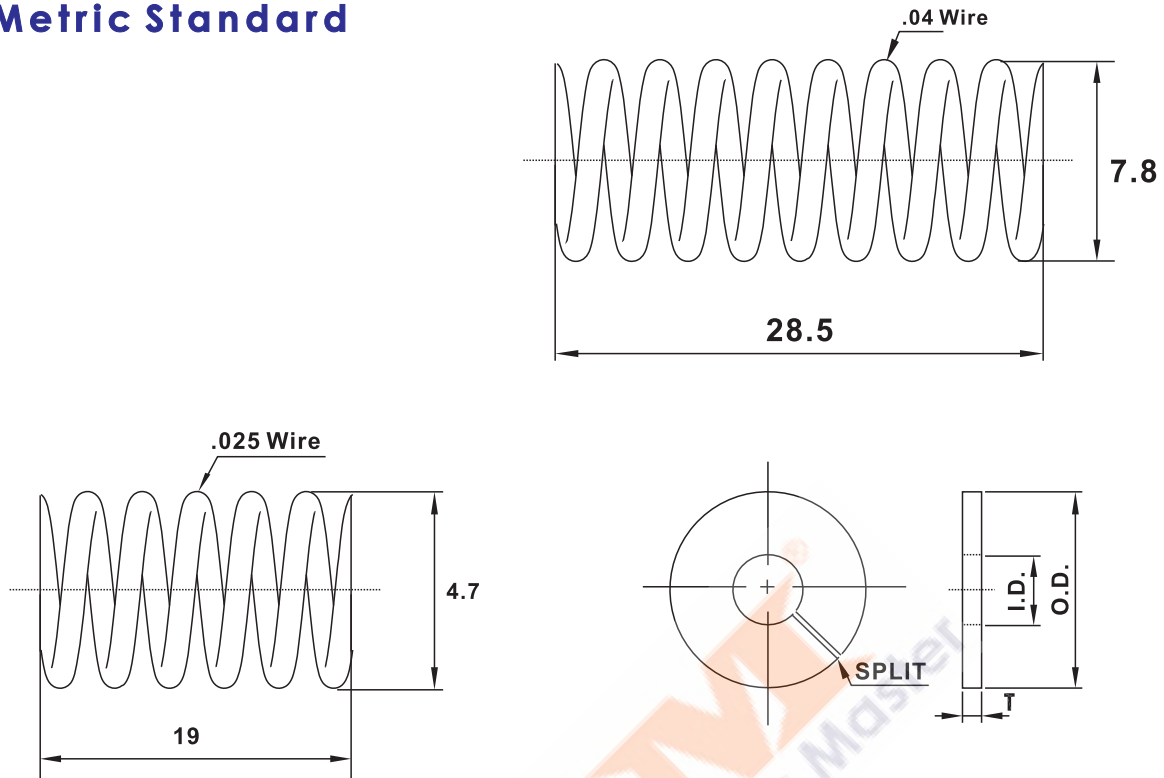


Part No.	Thread	Panel	A	B	C	D	E	F	G	H	I	S
			+0.10 -0.10	+0.05 -0.05	+0.10 -0.03	+0.10 -0.03	+0.15 -0.00	+0.30 -0.30	+0.30 -0.00	+0.15 -0.15	+0.15 -0.15	+0.15 -0.15
PSR5-M301	M3x0.5	1.3-1.7	8	6.3	5.3	3.2	4.9	11	2	7.6	9.4	1.6
PSR5-M302	M3x0.5	2.1-2.5	8	6.3	5.3	3.2	4.9	11	2	7.6	8.6	2.4
PSR5-M303	M3x0.5	2.8-3.6	8	6.3	5.3	3.2	4.9	11	2	7.6	7.8	3.2
PSR5-M304	M3x0.5	4.3-5.2	8	6.3	5.3	3.2	4.9	11	2	7.6	6.2	4.8
PSR5-M305	M3x0.5	5.9-6.7	8	6.3	5.3	3.2	4.9	11	2	7.6	4.6	6.4
PSR5-M3.501	M3.5x0.6	1.3-1.7	8	6.3	5.3	3.8	4.9	11	2	7.8	9.4	1.6
PSR5-M3.502	M3.5x0.6	2.1-2.5	8	6.3	5.3	3.8	4.9	11	2	7.8	8.6	2.4
PSR5-M3.503	M3.5x0.6	2.8-3.6	8	6.3	5.3	3.8	4.9	11	2	7.8	7.8	3.2
PSR5-M3.504	M3.5x0.6	4.3-5.2	8	6.3	5.3	3.8	4.9	11	2	7.8	6.2	4.8
PSR5-M3.505	M3.5x0.6	5.9-6.7	8	6.3	5.3	3.8	4.9	11	2	7.8	4.6	6.4
PSR5-M401	M4x0.7	1.3-1.7	13	11	9.8	4.5	7.9	16	2.4	10.8	14.4	1.6
PSR5-M402	M4x0.7	2.1-2.5	13	11	9.8	4.5	7.9	16	2.4	10.8	13.6	2.4
PSR5-M403	M4x0.7	2.8-3.6	13	11	9.8	4.5	7.9	16	2.4	10.8	12.8	3.2
PSR5-M404	M4x0.7	4.3-5.2	13	11	9.8	4.5	7.9	16	2.4	10.8	11.2	4.8
PSR5-M405	M4x0.7	5.9-6.7	13	11	9.8	4.5	7.9	16	2.4	10.8	9.6	6.4
PSR5-M501	M5x0.8	1.3-1.7	13	11	9.8	5.2	7.9	16	2.4	11	14.4	1.6
PSR5-M502	M5x0.8	2.1-2.5	13	11	9.8	5.2	7.9	16	2.4	11	13.6	2.4
PSR5-M503	M5x0.8	2.8-3.6	13	11	9.8	5.2	7.9	16	2.4	11	12.8	3.2
PSR5-M504	M5x0.8	4.3-5.2	13	11	9.8	5.2	7.9	16	2.4	11	11.2	4.8
PSR5-M505	M5x0.8	5.9-6.7	13	11	9.8	5.2	7.9	16	2.4	11	9.6	6.4
PSR5-M601	M6x1.0	1.3-1.7	13	11	9.8	6.4	7.9	16	2.4	11.2	14.4	1.6
PSR5-M602	M6x1.0	2.1-2.5	13	11	9.8	6.4	7.9	16	2.4	11.2	13.6	2.4
PSR5-M603	M6x1.0	2.8-3.6	13	11	9.8	6.4	7.9	16	2.4	11.2	12.8	3.2
PSR5-M604	M6x1.0	4.3-5.2	13	11	9.8	6.4	7.9	16	2.4	11.2	11.2	4.8
PSR5-M605	M6x1.0	5.9-6.7	13	11	9.8	6.4	7.9	16	2.4	11.2	9.6	6.4

Custom modified products are available.

PANEL SCREW RETAINER SPRINGS & WASHERS

Metric Standard



Springs

Part No.	Material	Thread Size	O.D.	Length
SPRING-MCP1	Satinless Steel 300Series	M3x0.5~M3.5x0.6	4.7	19
SPRING-MCP2	Satinless Steel 300Series	All other threads	7.8	28.5

Washers

Part No.	Material	Thread Size	O.D.	I.D.	L
			+ .000 - .015	+ .000 - .015	+ .015 - .015
WASHER-MCP1	Satinless Steel 300Series	M3x0.5	4.4	2.4	0.25
WASHER-MCP2	Satinless Steel 300Series	M3.5x0.6	4.4	2.9	0.25
WASHER-MCP3	Satinless Steel 300Series	M4x0.7	8	3.8	0.32
WASHER-MCP4	Satinless Steel 300Series	M5x0.8	8	4.3	0.32
WASHER-MCP5	Satinless Steel 300Series	M6x1.0	8	5.2	0.32

Custom modified products are available.

TEL:886.4.7369788 FAX:886.4.22569335 <http://www.etm-co.com>

ETM[®]

Elegant Technology Master

01010101010101010101010101
 1010101011010101010101010101
 10101010110101010101010101



Our name says it all, simply the widest selection of quality products.

We are specialize in cosmetic products and precision electronic hardware.

Whether you are in the Aerospace, Automotive, Trucks, Railway, Enclosures, Enterprise Hardware, Consumer Electronics, Medical, Industrial Equipment, Marine, Instrumentation, Telecommunication, Recreational Vehicles, or other high-tech industry, our expert sales staff can assist you.

This book is a comprehensive reference of engineered human touch points for your customer oriented design solution. We believe that by providing you with a broad range of standard solutions. We can enhance your overall design, quality, performance, look and feel of your end product.



We have more and more products do not be listed in this catalogue, like ours Stamping Parts, Compression Latch, Draw Latch, Pulls, Self-Clinching parts ...etc.

To contact ETM directly for customer service and technical support, or contact us to found your local Sales Representative.

No.55, Ju Dong Rd., Homei Chang Hwa 50856, Taiwan, R.O.C.

TEL:886.4.7369788 FAX:886.4.22569335

<http://www.etm-co.com> E-mail: info@etm-co.com

TEL:886.4.7369788 FAX:886.4.22569335 <http://www.etm-co.com>



Sales

Headquarters ETM Inc.

No.55, Ju Dong Rd.,Homei Chang
Hwa 50856, Taiwan, R.O.C.
TEL:886.4.7369788
FAX:886.4.22569335
<http://www.etm-co.com>

USA UNICORP Inc.

291 Cleveland Street,
Orange, NJ 07050
TEL:+1.973.674.1700
FAX:+1.973.674.3803
<http://www.unicorpinc.com>